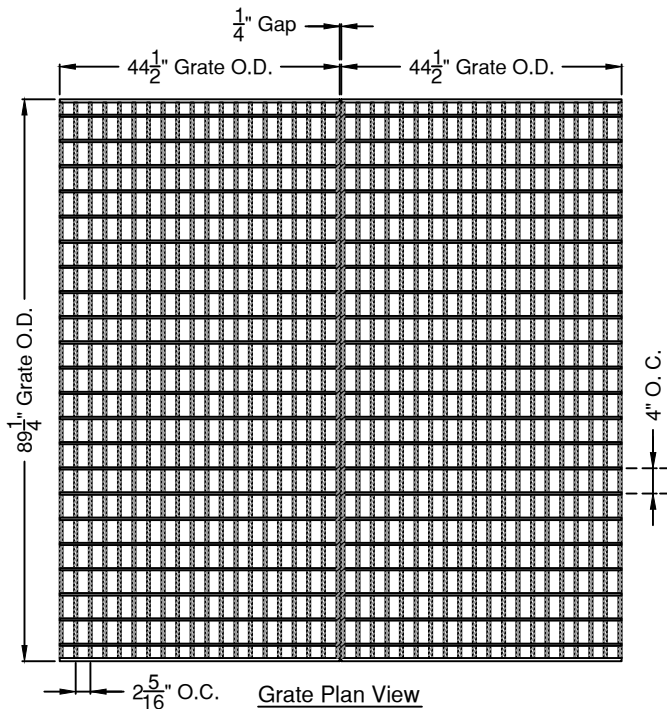
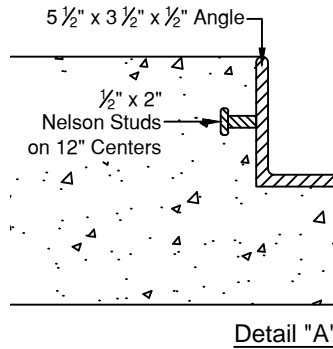


Frame Plan View

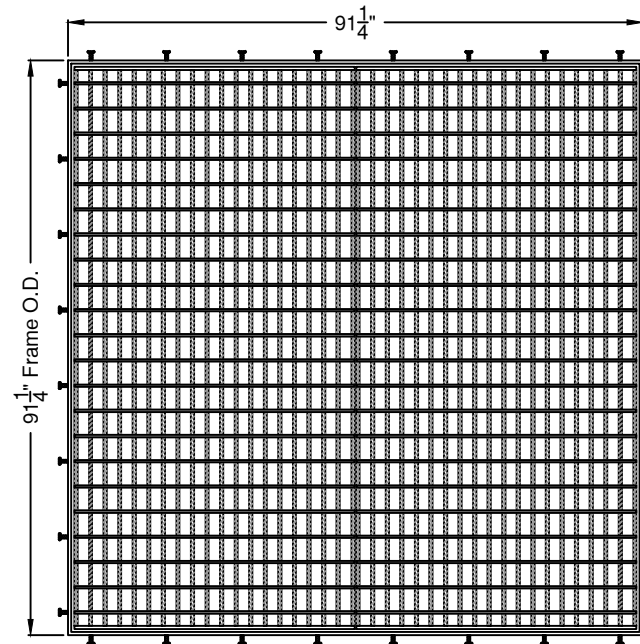


Grate Plan View

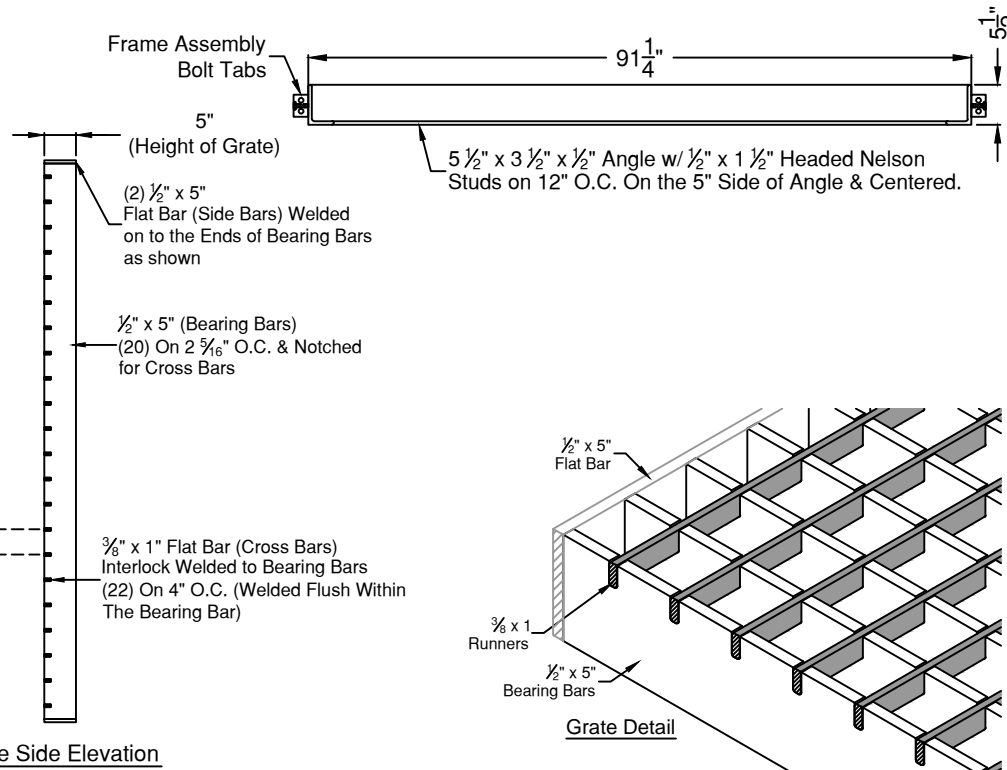
7 X 7 Standard Grate With Frame (2 Grates Required)



Detail "A"



Frame w/Grates Plan View

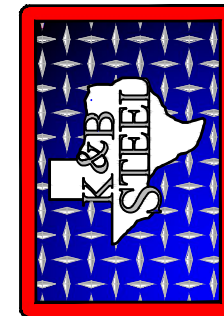


Grate Side Elevation

Note:

1. ASTM A-36 Steel Construction
2. Hot Dip Galvanized (ASTM A 123/ A)
3. H-20 Load

7 x 7 Std. Galvanized Steel Frame and Grates
 (2) (44 1/2" x 89 1/4" Grate O.D.)
 w/Frame (84 1/4" x 84 1/4" Clear)
 K&B Steel
 E-Mail: kbsteel@valornet.com
 525 Industrial Blvd. Clarksville, Texas 75426
 Phone: (903) 427-3980 FAX: (903) 427-5817



(Date: 05-22-18)